



Electrical heater with electronic thermostat and
remote operation
Model WG67



USER MANUAL

Rev.1.2

1. Introduction

This document describes the technical details of the electric heater and its control from the perspective of a user of a GPO electric heating panel.

The device is aimed at heating household premises powered by a single-phase alternating current electrical network.

The device is equipped with an electronic solid-state switch that ensures silent regulation of the heater temperature. It has built-in external (indoor) and internal (heater temperature) sensors that ensure maintenance of the required temperature in the room and limit the maximum temperature of the heater surface.

Being equipped with WIFI and BLE the heating panel could be controlled remotely over a mobile App, and directly using a keypad and display on the panel.

2. Manufacturer and copyrights

The manufacturer of this product is GPO OU, Tallinn, Peterburi tee, 38/9.

All copyrights associated with this product belong to the manufacturer.

3. Specification

Characteristic	Unit	Value
Rated supply voltage	V	230
Min allowed supply voltage ¹	V	85
Max allowed supply voltage	V	260
Rated power	W	670
Max allowed heating surface temperature	°C	100
Max maintained indoor temperature	°C	35
Min maintained indoor temperature	°C	0
WiFi/BLE band	GHz	2.4

¹ powering the heater with a voltage lower than the nominal, the resulting heating power will be lower than the nominal value.

4. Responsibility and legal information

The GPO reserves the right to change the device's design and update this document without prior notification to the user. It means that the images of the electric heater presented in this document may vary from the actual appearance since we continuously work on improvement of the design.

It will not assume liability for any adverse consequences that might occur due to using an outdated version of this document or for any potential technical or typographical errors, whether omitted or accidental and any resulting damages arising from the document. Please visit <https://gpo-store.com/pages/documentation-wg67> to download the latest version of this manual.

User information including personal data is protected from unauthorized access and disclosure in accordance with GDPR requirements. You can read the Privacy Policy at <https://gpo-store.com/en/pages/privacy-policy>.

5. Standards



The device is CE-certified and complies with the requirements of the following Directives of the European Union:

- 2014/35/EU Low Voltage Directive;
- 2004/30/EU Electromagnetic Compatibility Directive
- 2014/53/EU Radio Equipment Directive
- 2009/125/EU Ecodesign Directive

RoHS

The device complies with the requirements of Restriction of the Use of Certain Hazardous Substances (RoHS) in Electronic and Electrical Equipment (2011/65/EU Directive) including requirements of 2015/863/EU Directive



in accordance with the Directive 2012/19/EU on Waste Electrical and Electronic Equipment (WEEE), this equipment requires separate collection at the end of its life and must be disposed of separately from unsorted household waste.

6. Limitations and Warnings

Prior to installation and operation of the device, the User shall carefully read and understand the information contained herein.

WARNING!

Do not cover the heater to avoid overheating.

WARNING!

Do not install the heater directly under a plug socket.

WARNING!

Do not use the heater if the glass panels or power cord are damaged.

WARNING!

To reduce the risk of fire, keep textiles, curtains, or any other flammable material at a minimum distance of 1 m from the heater.

ATTENTION!

The cautions, safety measures, and guidance provided in this document may not cover all conceivable risky situations. Exercise good judgment while operating the device.

7. Used symbols and icons

	<p>Hot surface. The risk of burns in the case of contact with heated surfaces. Do not touch the heating panel until completely cooled down and do not allow the power cable to contact the heating panel</p>
	<p>To avoid overheating, do not cover the device or dry clothes on it</p>
	<p>The device is intended for indoor use only</p>
<p>IP43</p>	<p>Level of protection of the device casing which means that it is protected from tools and small wires greater than 1 millimeter. Protected from water spray less than 60 degrees from vertical.</p>
	<p>Do not expose the device to liquids</p>
	<p>The eco-label symbol on the package indicates its recyclability</p>
	<p>Indication that the device may be broken or damaged if not handled carefully</p>



Indication that the device must be protected from moisture

8. Important safety information

- The product is intended for home use only.
- Make sure the heater is connected to the house's regular mains as indicated on the heater.
- Prevent the heater from overheating ensuring it is not covered.
- Always turn off the heater and unplug it when not used for a long period of time.
- Pay special attention if the heater is used in rooms where children, handicapped, or elderly reside.
 - The heater should not be set up directly beneath an electrical socket outlet.
 - The cord must not be laid under any kind of carpet. Make sure the cord is laid in such a way that nobody can trip on it.
 - The heater must not be used if either the cord, or plug, or the heater itself is damaged or malfunctions are detected.
 - The cord must be repaired by the manufacturer or by an expert if it has been damaged, to avoid dangerous situations.
 - Avoid using extension cords, which may overheat and could possibly start a fire.
 - The heater should be used in rooms with normal flat floors.
 - The heater should not be installed close to flammable materials of any kind to prevent a risk of fire.
 - Never touch an electric heater with wet hands. The heater should be installed so a person showering or taking a bath cannot come into direct contact with it.
 - Some parts of this product can become very hot and cause burns. Particular attention has to be given where children and vulnerable people are present.
 - The heater must be switched off, the plug removed and the heater must cool down before it is moved.
 - Avoid overloading the mains (the circuit) where the heater is connected. The heater may overload the electrical circuit if other electrical devices are plugged into the same socket outlet.

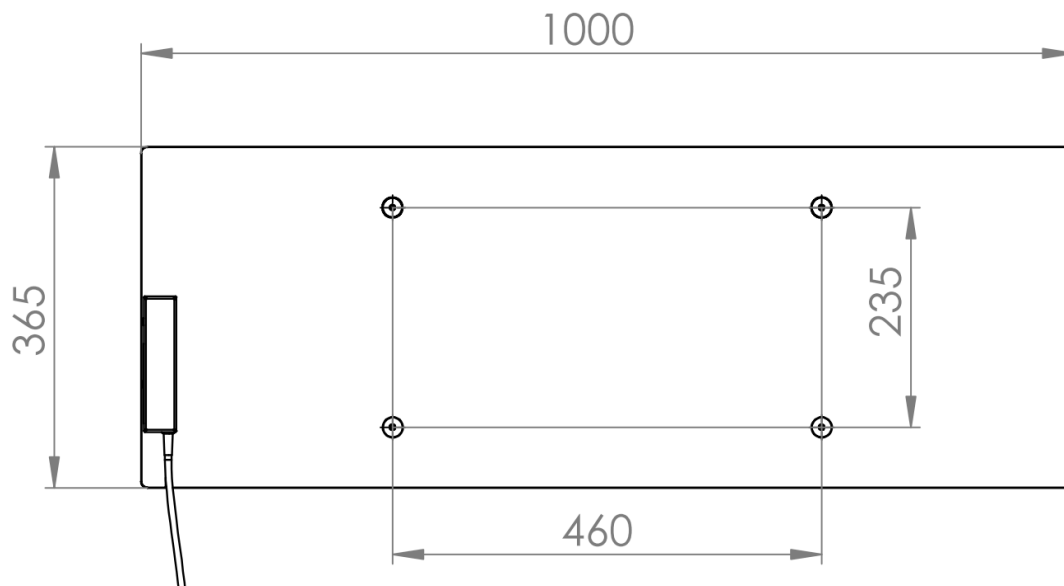
- Do not use this heater in small rooms when they are occupied by persons not capable of leaving the room on their own unless constant supervision is provided.
- The product cannot be used by children under 8 years of age and persons with reduced physical or mental abilities or lack of experience and knowledge unless they have been given supervision or instruction in the safe use of the product and understand the hazards involved.
- Children should not play with the product. Cleaning and maintenance should not be done by unsupervised children.
- Children under the age of 3 should be kept away from the product unless they are under constant supervision.

9. Dimensions

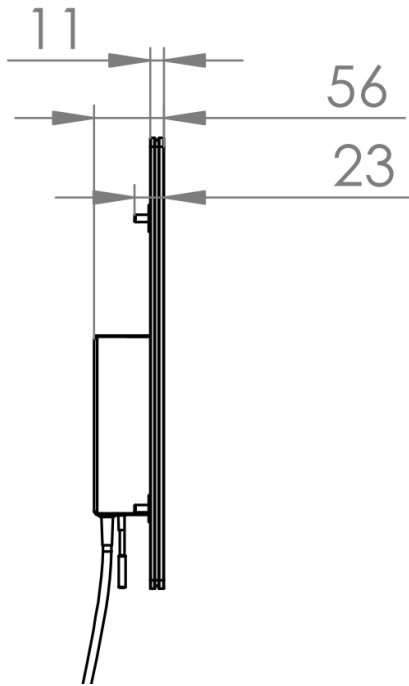
All measurements provided in this datasheet are in millimeters (mm) unless otherwise stated.

Heater without fastening parts

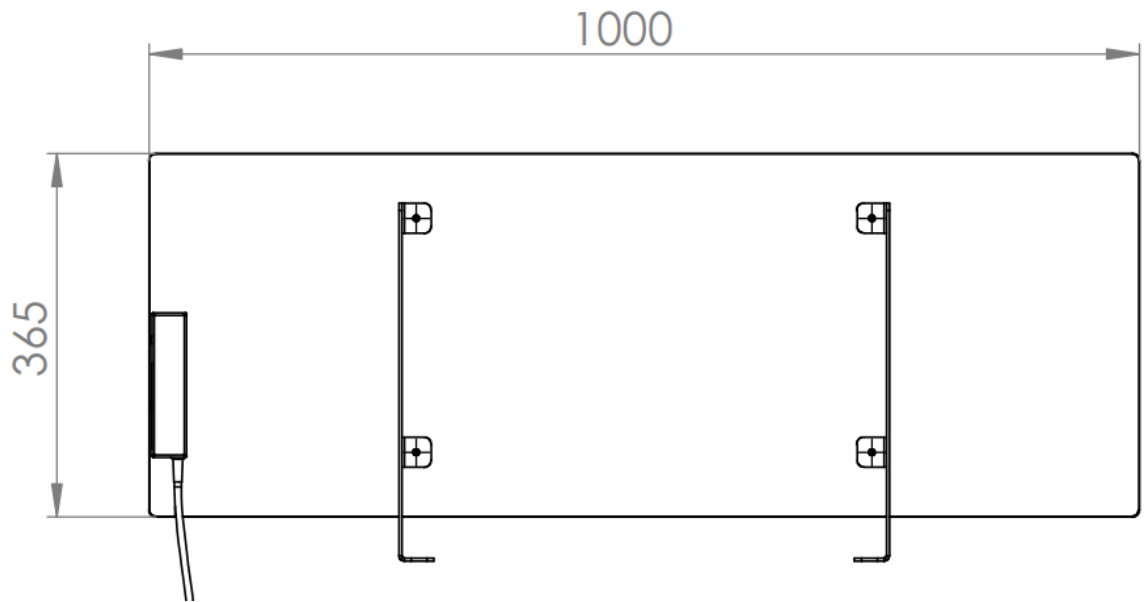
Back view:

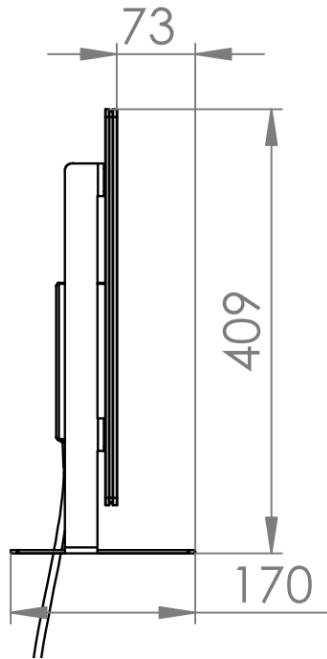


Side view

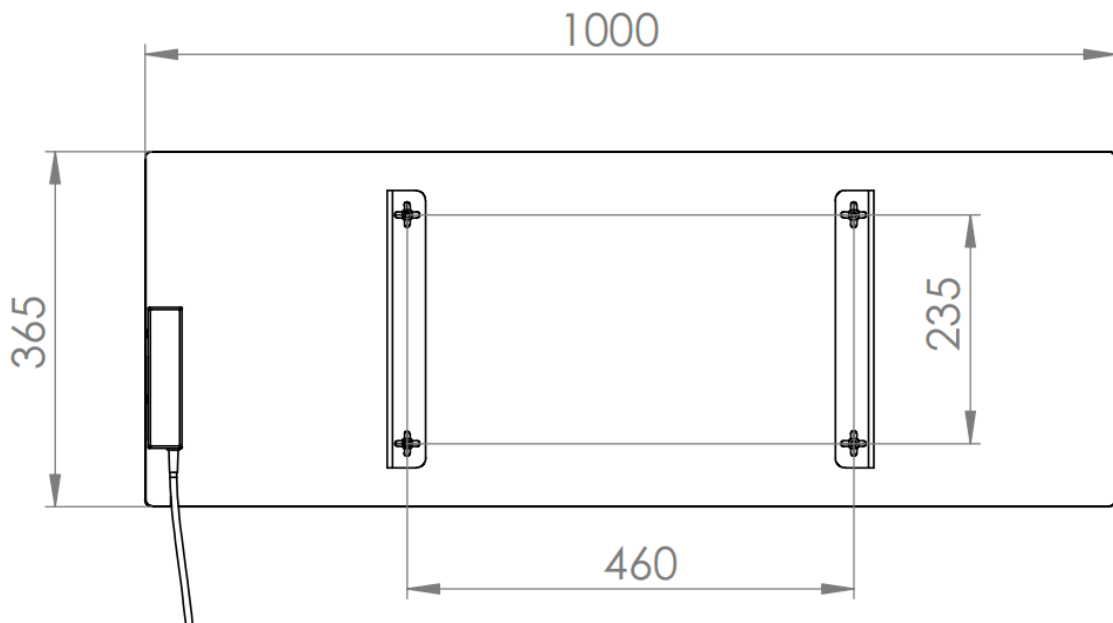


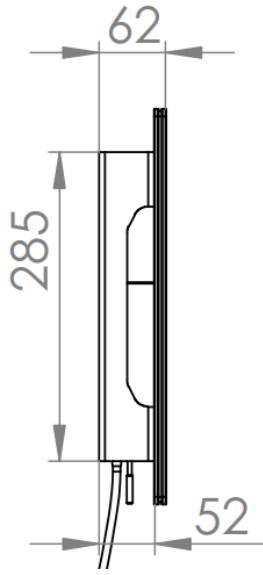
Heater installed on the legs





Heater with the wall brackets mounted





10. Package content

Item	Quantity
Heating panel	1 pc.
Leg for placing the heater on a floor	2 pcs.
Brackets for mounting the heater on a wall	2 pcs.
User manual	1 pc.
Packing	1 pc.

11. Before first use

After unpacking the heater, check to make sure the product was not damaged during transportation. Contact the manufacturer or retailer if you detect any visible damages to the product.

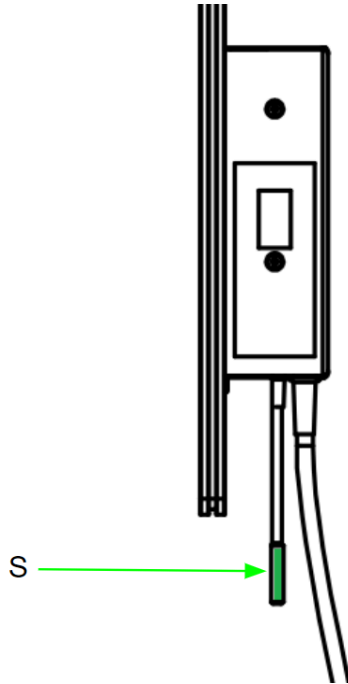
Keep the outer packaging to transport the heater in the future. If you want to dispose of the packaging, make sure it is done properly. Keep plastic bags away from children.

12. Recommendations for mounting

Regardless of whether the heater is to be mounted on a wall or on a floor the following conditions should be met:

- minimum distances have to be provided from the heater to the surroundings:
 - from the top and bottom sides not less than 100mm
 - from the left and right sides not less than 50mm

- in front of the heater not less than 100mm
- behind the heater not less than 40mm.
- The temperature sensor should be kept free hanging with adequate ventilation provided

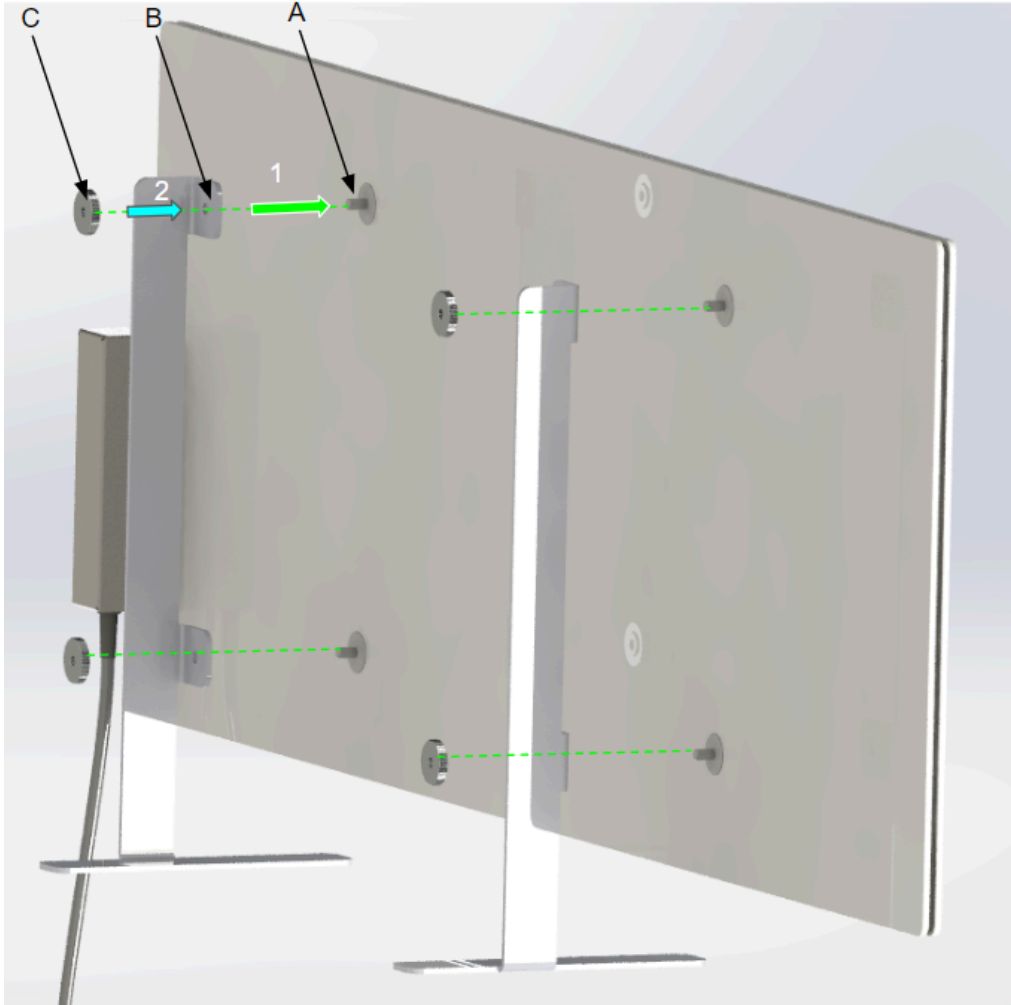


Mounting heater on the legs

ATTENTION!

A stable and flat surface should be used for installing the heater

In order to mount the heater on the legs place both legs B in either order to the 4 mounting screws A on the back of the heating panel and secure them manually with the corresponding nuts C.

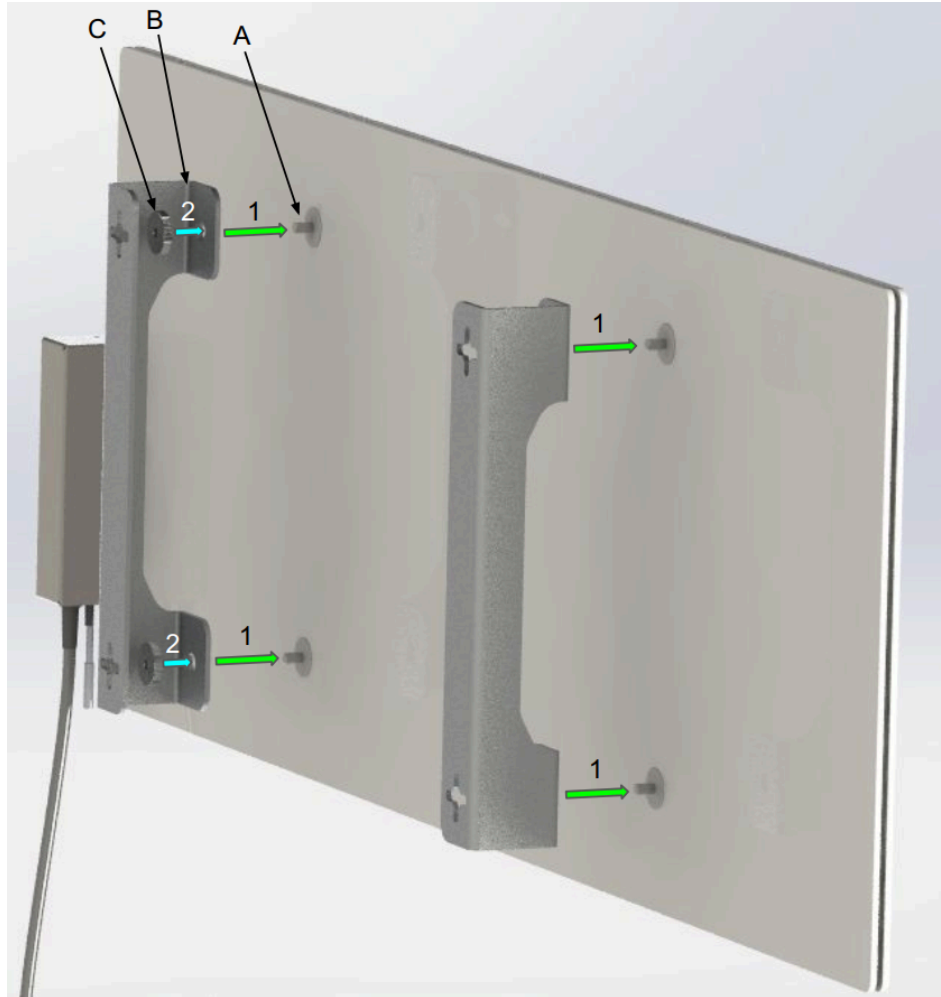


Mounting heater on the wall

Drill 4 holes in the wall.

Mount both wall brackets B into the drilled holes with 4 hooks.

Place the heater onto the brackets inserting the screws A (located at the back of the heater) into the holes in the brackets, and secure them with 4 nuts C.



13. First use

Before plugging the heater, make sure the device is properly installed on either wall brackets, or on the legs.

Ensure all the conditions from the Important Safety Information section are met.

To power the heater, you should plug it into an electric outlet. By default, the heater is powered in ON-state in Manual mode² maintaining a default temperature of 22°C.

14. Repair and maintenance notes

The heater does not require special maintenance. However, in order to keep the heater clean wet cleaning with a damp cloth is allowed.

ATTENTION!

Do not use running water to clean the device. Unplug the device before cleaning.

² Read the “Operating modes” section below to find out more about the modes

In case of finding any malfunctions, cracks on the surface, or other damages stop using the heater, unplug it, and contact the manufacturer or the retailer for further instructions.

15. Storage conditions

The heater should be stored under conditions of relative humidity below 80% and temperature not higher than 50°C.

In the case of storing the heater after being unpacked from the initial package, pay attention to the external temperature sensor in order to not damage it.

16. Recycling

Avoid throwing the heater along with the household waste, but dispose of it according to the regulations.

17. Warranty conditions

GPO as the manufacturer offers to all consumers a 5-year warranty for the product.

The warranty provides the customer with a right to either repair, replacement of the defective product, or alternatively a refund at the reasonable discretion of the manufacturer.

The warranty covers defects that originate from the manufacturer. The customer will therefore not have a valid warranty claim if the defect is a result of circumstances such as the following:

- Inappropriate usage, mishandling, neglect or improper operation of the product not following the user manual's guidelines.
- Defects resulting from transportation incidents that occurred beyond the manufacturer's responsibility.
- Damage occurred due to usage outside the recommended voltage and frequency parameters.
- Damages caused by inadequate maintenance of the product.
- Damages resulting from electrical outages, power surges, and/or adverse weather conditions.
- Damages stemming from the failure to install or assemble the product as per the user manual's instructions.
- Repairs or modifications conducted by individuals other than authorized agents.
- Minor deviations from the specified quality that do not significantly affect the product's value and functionality, or deviations that a reasonable customer would anticipate.
- Damages caused by alterations in design, electrical connections, or firmware without prior agreement with the manufacturer.
- Software and connectivity issues arising from local restrictions on accessing GPO Home cloud services.
- Warranty coverage does not extend to the mobile App or cloud/online service downtime.

Revision history

Date	Revision	Notes
25.10.2023	1.0	Initial release
24.11.2023	1.1	General revision
06.09.2024	1.2	URLs update